



HATSAN
ARMS COMPANY

Serious. Solid. Impact.



GALATIAN SERIES PCP AIR RIFLE

INSTRUCTION MANUAL

PLEASE READ THIS MANUAL BEFORE USING YOUR AIR GUN

Thank you for choosing Hatsan Galatian air rifle.

Always use caution when operating this rifle. Learn and obey the laws of your state and/or country, and be responsible in your use of this air rifle. Please read this manual completely before handling or shooting your air gun. It's the sole responsibility of the user to use this air gun properly and safely.

Your air rifle contains many features which gives greater handling, greater accuracy and enjoyment:

- Dovetail groove receiver for both 11mm and 22mm scope mounts.
- Precision rifled steel barrel for accuracy
- Manual Safety
- Synthetic or wooden stock all with elevation adjustable comb
- Stock length of pull and stock fit adjustable rubber recoil pad
- Adjustable rear & front sight with fiber optic. (except on Carbine versions)
- Quattro Trigger: 2-stage full adjustable match trigger for trigger travel and trigger load.
- Metal trigger
- Detachable air cylinder tube enabling to use spare air cylinders
- Built-in pressure gauge to monitor the cylinder pressure
- Standard quick-fill nozzle & air cylinder discharging cap
- Detachable 16-shot magazine in .177 (4.5mm) caliber, 14-shot magazine in .22 (5.5mm) and 13-shot magazine in .25 (6.35mm) caliber.
- Side lever action

Warning!

1. Each HATSAN Galatian PCP air rifle contains pressurized air and should only be dismantled by a competent gunsmith. Do not attempt to dismantle the rifle if the rifle is partially or fully charged, except for removal and replacement of the air cylinder. Serious injury and/or damage may result if this instruction is ignored.

Never shoot the rifle when the air cylinder is removed or empty. Otherwise serious damage/injury/death may be caused on you or others and also your air rifle may get damaged. Never attempt to dismantle the air cylinder parts or air gauge when the air cylinder is fully or partially charged. Serious injury/death/damage may result if this instruction is ignored because of the pressurized air in the air cylinder.

2. Use only factory manufactured waisted pellets that are no longer than the thickness of the rifle's magazine. Do not use BB ammunition with your rifle.

**3. HATSAN Galatian PCP air rifle is designed specifically for use with dry compressed air.
NO OTHER GAS OR GAS COMBINATION MUST BE USED.**

The rifle may be filled from a diver's bottle, a suitable compressor or by using a hand pump specifically made to fill pre-charged air guns.

MAXIMUM SAFE WORKING PRESSURE (SWP) : 200 BAR.

RECOMMENDED FILL PRESSURE : 190 BAR

GENERAL INSTRUCTIONS

Galatian series have rear & front sight assembled at factory (except Galatian Carbine versions). If not, you should mount Scopes and other alternate optic sights before use. Scopes and other alternate optic sights can also be mounted on Galatian having rear & front sight.(rear sight should be removed to mount the scope) Before using your new air rifle check if it is fully charged and abide the below basic safety rules.

Basic Safety Rules:

1. Treat every rifle as if it is loaded.
2. Never point the rifle at anyone, or allow anyone to point a rifle at you, even if you know it is not loaded.
3. Always carry the rifle so that the direction of the muzzle is under control, even if you stumble.
4. Always be sure of your target and what lies behind it before firing your rifle.
5. Never leave a loaded rifle unattended.
6. Beware of targets that tend to cause ricochets
7. It is compulsory for the user and bystanders to wear eye & ear protection when charging the air cylinder and when shooting.

Section I. SPECIFICATIONS

Galatian PCP has a 16-shot magazine in .177 (4.5mm) caliber, 14-shot magazine in .22 (5.5mm) and 13-shot magazine in .25 (6.35mm) caliber. It is a pre-charged, manual loading, pneumatic air rifle with detachable air cylinder tube (255cc)

Barrel Length	585mm / 23"	Carbine Version Barrel Length	450mm / 17.7"
Overall Length	1075mm / 42.3"	Carbine Version Overall Length	1100mm / 43.3"
Approx. Weight	4kg / 8.8lbs		
Maximum cylinder fill pressure	200 Bar		

Maximum Muzzle Velocity/Energy:

1190fps (360m/s) in cal. .177 (4.5mm), Energy 37Joules / 27ft.lbs
 1100fps (333m/s) in cal.22 (5.5mm), Energy 53Joules / 39ft.lbs
 1000fps (303m/s) in cal.25 (6.35mm), Energy 60Joules / 44ft.lbs

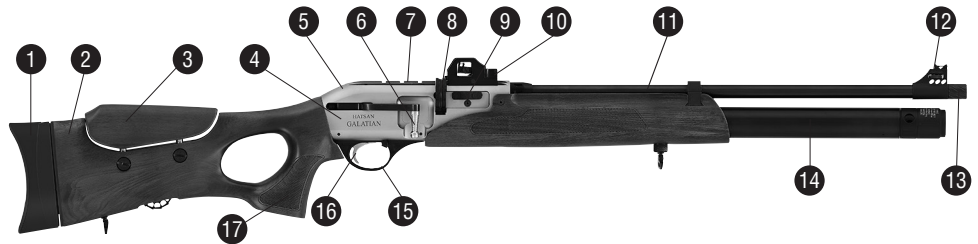
Carbine Version Maximum Muzzle Velocity/Energy:

1130fps (342m/s) in cal. .177 (4.5mm), Energy 33Joules / 24ft.lbs
 1050fps (318m/s) in cal.22 (5.5mm), Energy 49Joules / 36ft.lbs
 950fps (287m/s) in cal.25 (6.35mm), Energy 54Joules / 40ft.lbs

* Above maximum muzzle velocity figures may differ depending on the pellet weight & shape.

* The energy restriction of a particular country can be achieved by the reduction in the muzzle velocity. The above maximum velocity figures are obtained when there is no energy restriction on the air rifle and when measured at optimum pressure value in the air tube. As a nature of PCP air rifles the velocity starts low at maximum pressure level in the air tube, then starts to increase and gets to the maximum at optimum pressure value in the air tube; and then it starts to decrease again as the pressure in the air cylinder gets too low.

Section II. BASIC PARTS OF YOUR GUN



- | | | |
|----------------------|--------------------------|-----------------------|
| 1. Butt Pad | 7. Scope Rail | 13. Muzzle Cap |
| 2. Stock | 8. Magazine | 14. Air Cylinder Tube |
| 3. Adjustable Comb | 9. Magazine Release Bolt | 15. Trigger Guard |
| 4. Receiver | 10. Rear Sight | 16. Trigger |
| 5. Cocking Indicator | 11. Barrel | 17. Grip |
| 6. Cocking Handle | 12. Front Sight | |

Section III. MANUAL SAFETY

Safety button can be set to 'ON' and 'OFF' position manually.

- To set the safety to 'ON', pull safety button to the rear. In this position, the trigger cannot be pulled and the gun cannot be fired. (Fig. 1)
- To remove the safety to 'OFF', push safety button. In this position, the gun is ready to shoot. (Fig. 2)

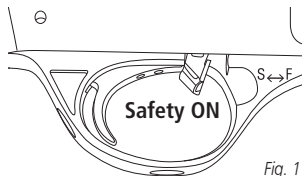


Fig. 1

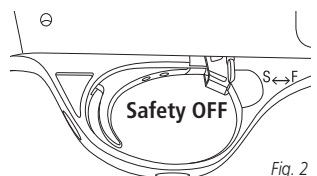


Fig. 2

CAUTION: Until you are actually ready to shoot, keep the safety button in the "ON" position (Fig. 1).

Section IV. QUATTRO TRIGGER

Your air rifle is equipped with Quattro trigger, (Fig. 3), you can adjust "trigger travel" & "trigger pull" as follows:

BOLT#1 is for trigger pull force adjustment.

For less trigger pull force prior to discharge, rotate BOLT#1 clockwise; and vice versa.

BOLT#2 is for trigger travel adjustment.

For less trigger travel prior to discharge, rotate BOLT#2 clockwise; and vice versa.

BOLT#3 is for adjusting the trigger force to pull the trigger till the end of 1st stage. When this is turned clockwise, this force increases; and vice versa.

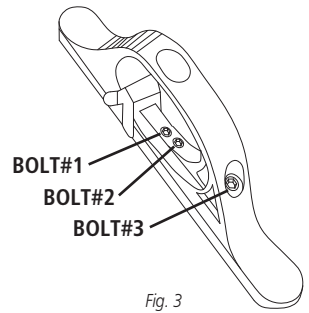


Fig. 3

Section V. MICRO ADJUSTABLE REAR-SIGHT & ADJUSTABLE FRONT SIGHT

Your air rifle come with fiber optic rear & front sight fitted-except on carbine versions whereas you should fit a scope or other alternate optic sights..

The rear-sight is a sensitive device and can be adjusted both for elevation and windage.

Windage adjustment

- If the shot is deflected to the left of the target, turn the SCREW#1 clockwise. (Fig. 4)
- If the shot is deflected to the right of the target, turn the SCREW#1 counter-clockwise. (Fig. 4)

Elevation adjustment

- If the shot is too high, turn SCREW#2 clockwise. (Fig. 4)
- If the shot is too low, turn SCREW#2 screw counter-clockwise. (Fig. 4)

Further elevation adjustment is possible by means of the adjustable front sight.

- If the shot is too high, turn KNOB#3 clockwise. (Fig. 5)
- If the shot is too low, turn KNOB#3 counter-clockwise. (Fig. 5)

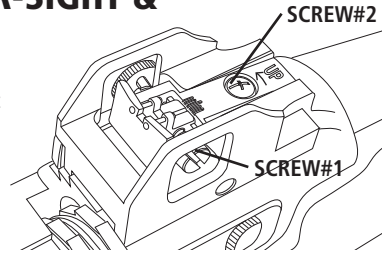


Fig. 4

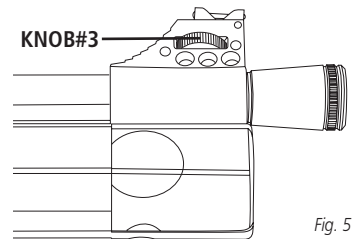


Fig. 5

Section VI. OPERATING INSTRUCTIONS:

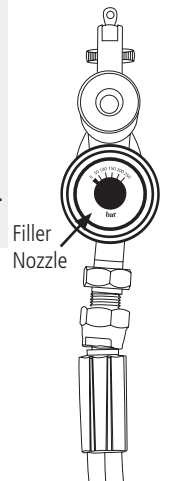
Warning!

1. Before filling the air cylinder; make sure the air rifle is not cocked, safety is at ON position, no pellets are loaded in the air rifle and/or barrel and magazine is not mounted on the gun.
2. Take all safety measures before filling the air cylinder. It is compulsory for the user and bystanders to wear eye & ear protection when filling the air cylinder.
3. While filling in the air cylinder; the pressure in the air cylinder must be monitored from the air gauge of the hand pump or scuba charging kit. Do not look thru the air gauge on the air cylinder during filling process of the air cylinder.

Charging the Rifle: Fit the filler nozzle to the air-line of the charging equipment, which must incorporate a pressure gauge. Ensure both filler nozzle and rifle filler hole are clear from dirt and push the nozzle into the filler hole. Fill the rifle to the cylinder pressure quoted previously in this manual. Do not exceed the maximum fill pressure as this will reduce the velocity of the rifle and may damage rifle components. When using the diver's bottle, refill the rifle slowly to prevent the heat created by the filling operation damaging the rifles components.

*Undo the bleeder valve on the hose before disconnecting the fill nozzle from the rifle.

You can assemble spare air cylinder to your rifle. In order to do that, first remove the air cylinder



mounted on the rifle by turning it counter-clockwise. Then assemble the spare air cylinder by aligning and rotating it clockwise.

Loading the rifle & shooting

1. The magazine comes in the box as not assembled on the air rifle for safety purposes. It incorporates a raised boss on its rear face and can only be fitted one way to the rifle. It rotates clockwise when viewed from the rear of the rifle.
2. Load pellets through the rear of the magazine. (Fig.6). Push the pellet noses through the retaining O-ring until their skirts lie flush or below the bottom of the magazine face.

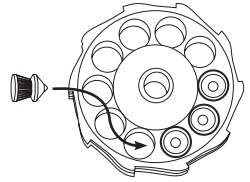


Fig. 6

Cocking Indicator

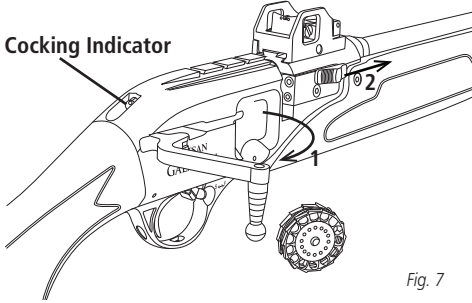


Fig. 7

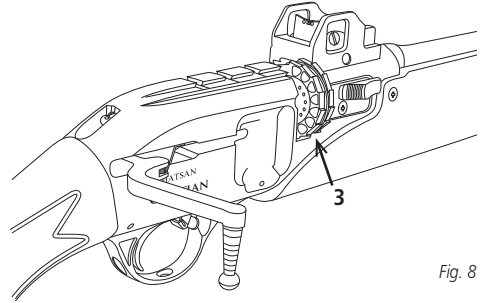


Fig. 8

3. To fit the magazine on the air rifle; pull the cocking handle backwards and lock it in the rear. (Fig. 7). Here you will notice the red ring around the cocking indicator becomes visible, which shows the air rifle is cocked.

THIS OPERATION COCKS THE TRIGGER MECHANISM/HAMMER ASSEMBLY. IF THE SAFETY IS SET TO OFF POSITION AND THE TRIGGER IS PULLED, THE RIFLE WILL DISCHARGE.

4. Push forward the magazine release bolt and lock it there. Insert the magazine into its slot the right. (Fig. 7 & Fig. 8)

Unlock magazine release bolt by sliding it backwards. (Fig. 9). If necessary rotate the magazine counter-clockwise until its movement is arrested by the magazine stop.

DO NOT CLOSE THE COCKING HANDLE / MAGAZINE RELEASE BOLT UNTIL YOU ARE READY TO FIRE. ENSURE THE COCKING HANDLE IS FULLY CLOSED BEFORE FIRING THE RIFLE AS ITS PERFORMANCE WILL BE AFFECTED IF NOT FULLY CLOSE.

5. Close the cocking handle and lock it in the forward position. (Fig. 9)
6. Sight-in either with sights or other optic sights; disengage safety and get ready for shooting.
7. Pull the trigger gently and the rifle will fire.
8. To reload rifle, pull the cocking bolt fully and close so the next pellet is indexed with the barrel. Then repeat above items 6 & 7.

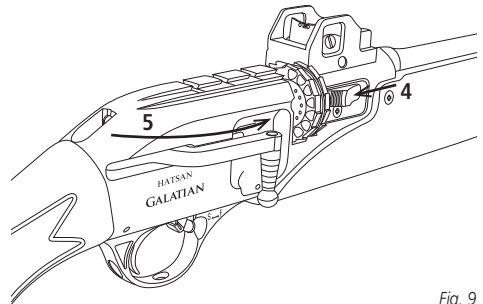
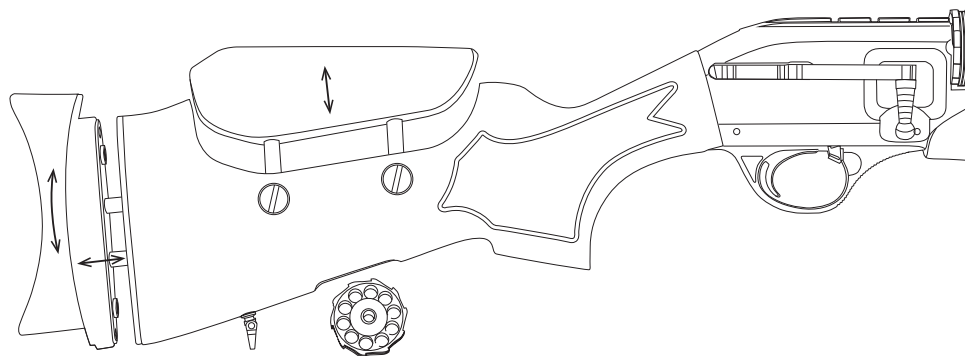


Fig. 9

Note: As the pellets are used and the magazine rotates, its empty chambers become visible above the barrel housing. These chambers may be refilled as they are revealed without removing the magazine if desired.

Note: You cannot cock the rifle and index the next pellet in the magazine unless you shoot the previous pellet in the barrel. This is because of a feature which prevents more than one pellet being loaded in the barrel which may cause damage to the rifle.

Comb Adjustment: The comb is adjustable for elevation. Simply loosen the 2 screws located beneath the comb and adjust the comb elevation suitable to your aiming position. Then tighten the screws so the comb becomes solid. The screws can be adjusted with a suitable screw driver or with a coin.



Stock Length of Pull Adjustment: The butt pad is adjustable for stock length of pull. Simply loosen the 2 screws located on the left side of stock comb and adjust the comb elevation suitable to your aiming position. Then tighten the screws so the comb becomes solid. The screws can be adjusted with a suitable screw driver or with a coin.

Butt Pad Adjustment: The butt pad is adjustable for height and it rotates slightly over stock providing you the perfect height and angle of the butt pad. In order to adjust the butt pad, simply loosen the bolt in the butt pad with a suitable allen wrench; and raise or lower it according to shooting conformance. Then tighten the bolt.

Section VII. MAINTENANCE

Warning!

Never attempt to disassemble this rifle when it is charged, except for removal and replacement of the air cylinder. Never fire the rifle when the air cylinder is removed or empty. Failure to obey this instruction could result in serious injury/death and damage to your air rifle.

Never lubricate inside the barrel as this will affect the accuracy & grouping of the rifle in negative manner. Occasionally apply proper mineral based oils sparingly to the following parts:

- The trigger mechanism
- The pellet probe
- The cocking lever sliding surface
- The stern of the magazine pin and the magazine release.
- The magazine axis hole and the outer O-ring.

DO NOT OVER-LUBRICATE THE RIFLE!

- It is recommended to clean the barrel with a cleaning rod every 500 shots. Never lubricate inside the barrel.
- Before you begin oiling or cleaning your air gun, always check to make sure it is unloaded.
- Always be sure your gun barrel is clean and not blocked.
- After cleaning ensure that no cleaning patch or other obstruction remains in the barrel.
- Annually, take your air gun to a gunsmith even if it seems to be working well, since some issues in your gun may not be apparent from external examination.
- Take your air gun to a gunsmith if water, sand, etc. enters the internal mechanism of the air gun, for complete cleaning.
- Dangerous conditions may occur if you do not keep your air gun clean and working properly.

Quick Fill Nozzle O-Rings Replacement

After a period of time, the O-rings on the fill nozzle will need to be replaced. The need for this will become noticeable if air is heard leaking from the nozzle or the nozzle ejected from the rifle while charging the rifle. Always ensure to replace both O-rings.

Magazine O-rings Replacement

The O-ring which retains the pellets in the magazine will need to be replaced after many hundreds of shots have been fired. Its replacement becomes apparent when the rifle's cocking lever becomes stiff to operate. Repositioning the O-ring in its groove may also overcome the stiffness. Lightly oil the replacement O-ring before fitting.

Safety Measures & Warnings

- This air gun will fire if cocked, loaded, safety disengaged and trigger pulled.
- Air guns are not toys. Never let young children use an air gun unsupervised. Adult supervision is strictly required during use. Misuse or careless use may cause serious injury or death.
- Learn how your air gun operates and safe gun handling procedures before loading and using it.
- **ALWAYS USE EYE & HEARING PROTECTION AND MAKE BYSTANDERS USE THE SAME.** Failure to do so may result in eye injuries and permanent hearing loss.
- Do not point at anything you do not intend to shoot even though the gun is unloaded. Always keep the gun pointed in a safe direction.
- Never pull a gun toward you by the muzzle.
- Always aim at a safe target, taking care that it does not conceal any other object.
- Before you fire, consider where the pellet will travel should you miss your intended target, thus ensuring no damage or harm could result.
- Be sure of your target before you pull the trigger. Never shoot at sounds.
- When shooting, always have a safe shooting range, that is; have a safe area for shooting, a safe distance between you and the target, and a safe backstop to trap the pellets and hold the target.
- Do not fire at a target, which allows ricochets or deflections. Do not fire into or at water.
- Do not fire at or near power lines or insulators. Be especially careful in wooded areas where power lines may not be as visible.
- Do not load the gun until you are ready to shoot.
- Always keep your fingers away from the trigger & muzzle during cocking and handling.
- Do not walk, run or jump when carrying a loaded or cocked air gun. A loaded or a cocked gun should never be carried inside a vehicle, house, camp or public place. Never climb a tree or fence or jump a ditch with a loaded gun. In such a case, first unload it and hand the gun to a friend or place it on the ground on the other side of the obstacle before crossing yourself.
- When transporting the gun, keep it unloaded and 'on safe'.
- Always keep the gun 'on safe' until you are ready to shoot even if the gun is unloaded.
- Do not put the gun away loaded and unattended.
- Always check to see if the gun is 'on safe' and unloaded when getting it from another person or from storage.
- Always keep the air gun and/or pellets out of the reach of children. Keep the air gun and pellets in separate places, better if under lock and key.
- Do not attempt to disassemble or tamper with your gun. Use a competent gunsmith. Many air guns contain powerful springs or high pressure air cylinders which can cause serious injury if released in an uncontrolled manner.
- Always handle and treat your gun as though it were loaded.
- Improper use or handling of air guns is not the responsibility of the manufacturer or distributor, under any circumstances. The user is responsible for any harm, which may be caused.
- Think first, fire second. Don't rely on any mechanical safety. Half safe is not safe.
- Be safe not sorry. Respect other's property.
- Air guns should never be used under the influences of alcohol or drugs.



HATSAN ARMS COMPANY



facebook.com/hatsan.com.tr



twitter.com/hatsan_arms



youtube.com/hatsanarms

Kemalpasa O.S.B. Mah. Ansizca Sanayi Sitesi
No: 303 Iç Kapi No: 1, 35170 Kemalpasa - İzmir - TURKEY
Tel: +90 (232) 878 91 00 • Fax: +90 (232) 878 91 02

www.hatsan.com.tr info@hatsan.com.tr